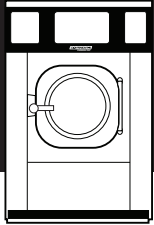




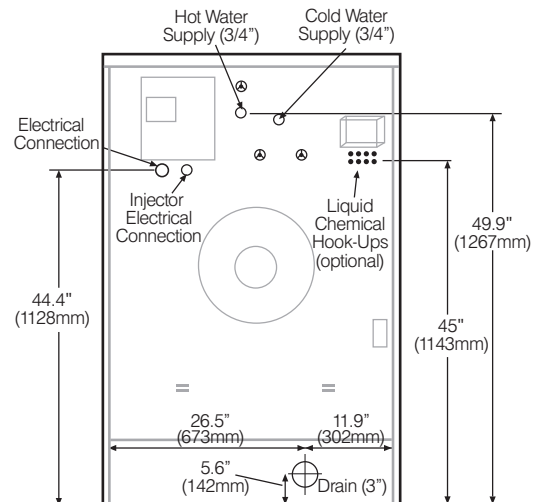
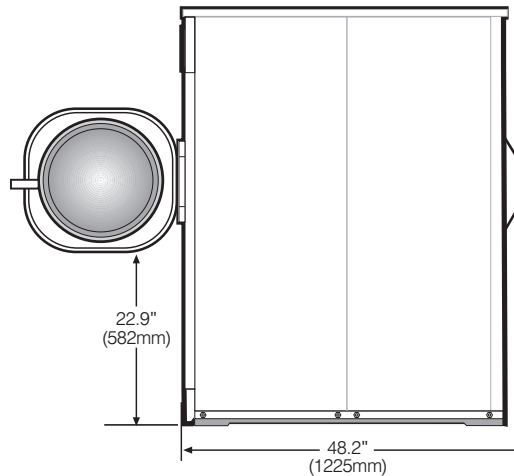
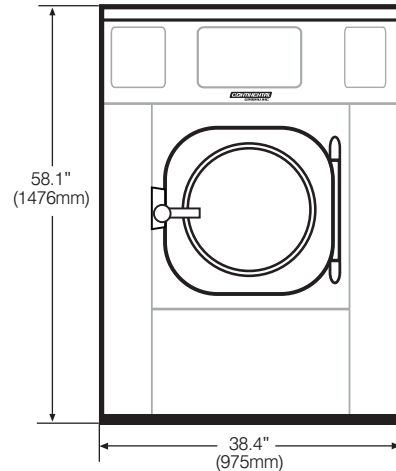
2500 State Road 44 • Oshkosh, WI 54904
 920.231.8222 • FAX 920.231.4666
www.continentalgirbau.com



EH060

ON-PREMISE LAUNDRY E-SERIES 60-POUND CAPACITY
 HIGH-PERFORMANCE WASHER-EXTRACTOR

Capacity <i>lbs (kg)</i>	60 (27.2)
Cylinder Diameter <i>inch (mm)</i>	30.1 (765)
Cylinder Depth <i>inch (mm)</i>	20.5 (520)
Cylinder Volume <i>cu ft</i>	8.4 (239)
Net Weight <i>lbs (kg)</i>	1289 (584)
Crated Weight <i>lbs (kg)</i>	1338 (607)
Machine Width <i>inch (mm)</i>	38.4 (975)
Machine Depth <i>inch (mm)</i>	48.2 (1225)
Machine Height <i>inch (mm)</i>	58.1 (1476)
Door Opening <i>inch (mm)</i>	15.7 (400)
Floor to Door <i>inch (mm)</i>	22.9 (582)
Shipping Dimensions <i>inch (mm)</i> (<i>WxDxH</i>)	39.4 x 49.6 x 64.2 (1002 x 1260 x 1630)
Washing Speeds <i>rpm</i>	22/27/36/42
Spin Speeds <i>rpm</i>	86/350/550/725/966
G-force	3.15/52/130/225/400
Static Force Transmitted <i>lbs (kg)</i>	1528 (693)
Dynamic Force Transmitted <i>lbs (kg)</i>	291 (132)
Frequency of Dynamic Force <i>Hz</i>	16.1
Available Voltages/Wire Conductor/Amp	
Hot Water (<i>standard</i>)	208-240/60/1, 2W + G, 15 Amp
Steam Auxiliary Heat (<i>optional</i>)	208-240/60/1, 2W + G, 15 Amp
Hot Water (<i>standard</i>)	208-240/60/3, 3W + G, 10 Amp
Electric Auxiliary Heat (<i>optional</i>)	208/60/3, 3W + G, 50 Amp
Electric Auxiliary Heat (<i>optional</i>)	240/60/3, 3W + G, 60 Amp
Steam Auxiliary Heat (<i>optional</i>)	208-240/60/3, 3W + G, 10 Amp
Drain Diameter <i>inch (mm)</i>	3.15 (80)
Water Inlets <i>inch (mm)</i>	2 @ 3/4 (19)
Recommended Water Pressure <i>PSI (bar)</i>	30-60 (2-4)
Water Flow <i>gal/min (l/min)</i>	16 (60)
Steam Connection <i>inch (mm)</i>	1/2 (12.7)
Steam Pressure (<i>optional</i>) <i>PSI (bar)</i>	29-87 (2-6)
Steam Flow (<i>optional</i>) <i>lbs/h (kg/h)</i>	176 (80)
Total Power <i>kW</i>	1.88
Electric Heating Power 240V (<i>optional</i>) <i>kW</i>	20.3



* Specifications subject to change without notice or obligation. Call Continental Girbau Inc for dimensions not shown or for clarification.