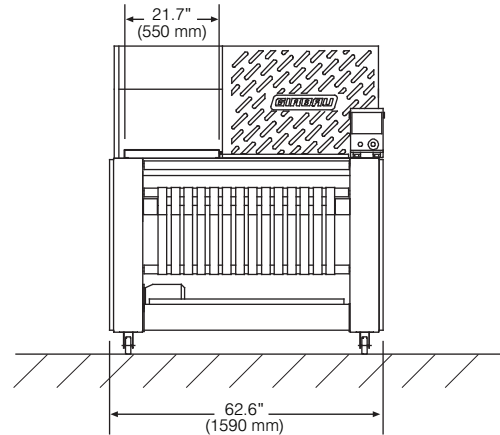


# FT-Lite

FOLDER AND STACKER

2500 State Road 44 • Oshkosh, WI 54904  
920.231.8222 • FAX 920.231.4666  
[www.continentalgirbau.com](http://www.continentalgirbau.com)

Usable Feed Width	<i>inch (mm)</i>	48 (1219)
Feed Height	<i>inch (mm)</i>	27.6-35.4 (700-900)
Max Item Dimensions	<i>inch (mm)</i>	47.2 x 94.5
	<i>W x L</i>	(1200 x 2400)
Net Weight	<i>lbs (kg)</i>	2028 (920)
Crated Weight	<i>lbs (kg)</i>	2094 (950)
Machine Width	<i>inch (mm)</i>	62.6 (1590)
Machine Depth	<i>inch (mm)</i>	116.1 (2950)
Machine Height	<i>inch (mm)</i>	70.5 (1790)
Shipping Dimensions	<i>inch (mm)</i>	63 x 118.1 x 70.6
	<i>WxDxH</i>	(1600x3000x1800)
Electric Power	<i>kVA</i>	2
Compressed Air Connection	<i>inch(mm)</i>	1/2 (15)
Operating Pressure	<i>bar</i>	6-10
Available Voltages		208-240/60/3 440-480/60/3



\* Specifications subject to change without notice or obligation. Call Continental Girbau for dimensions not shown or for clarification.

