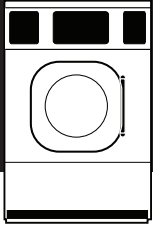




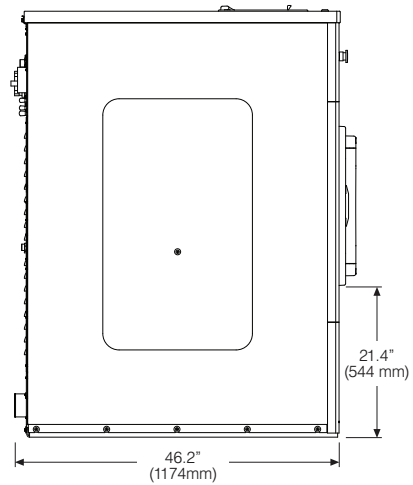
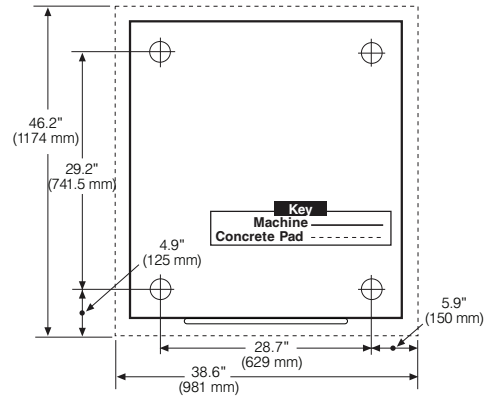
2500 State Road 44 • Oshkosh, WI 54904
 920.231.8222 • FAX 920.231.4666
 www.continentalgirbau.com



RMG070

ON-PREMISE G-FLEX 70-POUND CAPACITY
 HARD-MOUNT WASHER-EXTRACTOR

| | |
|--|--|
| Capacity lbs (kg) | 70 (30.5) |
| Cylinder Diameter inch (mm) | 30.1 (765) |
| Cylinder Depth inch (mm) | 23.5 (596) |
| Cylinder Volume cu ft (dm ³) | 9.7 (274) |
| Net Weight lbs (kg) | 899 (408) |
| Crated Weight lbs (kg) | 957 (434) |
| Machine Width inch (mm) | 34.3 (870) |
| Machine Depth inch (mm) | 46.2 (1174) |
| Machine Height inch (mm) | 57.7 (1466) |
| Door Opening inch (mm) | 16.7 (424) |
| Floor to Door inch (mm) | 21.4 (544) |
| Shipping Dimensions inch (mm) (WxDxH) | 35.3 x 48.2 x 64.1 (897 x 1225 x 1627) |
| Washing Speed rpm | 40 |
| Spin Speeds rpm | 40/86/342/485/570/685 |
| G-force | 50/100/140/200 |
| Static Force Transmitted lbs (kg) | 1208 (548) |
| Dynamic Force Transmitted lbs (kg) | 3086 (1400) |
| Frequency of Dynamic Force Hz | 11.4 |
| Available Voltages/Wire Conductor/Amp | 208-240/60/1, 2W+G, 15 Amp 208-240/60/3, 3W+G, 15 Amp |
| Drain Diameter inch (mm) | 3 (76) |
| Water Inlets inch (mm) | 2 @ 3/4 (2 @ 19) |
| Recommended Water Pressure PSI (bar) | 30-60 (2-4) |
| Water Flow gal/min (l/min) | 16 (60) |
| Steam Connection (optional) inch (mm) | 1/2 (12.7) |
| Total Power kW | 1.3 |



* Specifications subject to change without notice or obligation. Call Continental Girbau Inc for dimensions not shown or for clarification.

Hard-Mount Installation Requirements

