



THE NEW FAGOR INDUSTRIAL TUMBLE DRYERS,
OUR GIANT LEAP FORWARD
LAUNDRY - TUMBLE DRYERS





INDEX

THE NEW FAGOR INDUSTRIAL
TUMBLE DRYERS,
OUR GIANT LEAP FORWARD

04

A PERFECT BALANCE OF PRACTICALITY
FOR THE USER AND EASY MAINTENANCE

06

THE LATEST FEATURES
FOR THE MOST DEMANDING USERS

08

CARING FOR THE ENVIRONMENT,
FAGOR'S COMMITMENT

14

GREEN EVOLUTION PLUS

16

GREEN EVOLUTION.
LARGE CAPACITY TUMBLE DRYERS

18

TUMBLE DRYERS SELF-SERVICE

20



THE NEW FAGOR INDUSTRIAL
TUMBLE DRYERS,
OUR GIANT LEAP FORWARD.

The new FAGOR INDUSTRIAL dryers arrive in the market as a real revolution on the drying process. The new developments in our machines allow **a much higher efficiency** than our previous models and make them **the most technologically advanced dryers in the market.**



A PERFECT BALANCE
OF PRACTICALITY FOR
THE USER AND EASY
MAINTENANCE



THE LATEST FEATURES FOR THE MOST DEMANDING USERS

—

Our principles of constant innovation in the development and investment in the manufacturing process result in important technical advances in our products. This is specially significant in the new range of Heat Pump - "High Efficiency" and Green Evolution PLUS dryers, where the energy saving and cost reduction are a major step forward in today's laundry business.

With an attractive and completely renovated design, we have achieved a perfect balance of practicality for the user and easy maintenance. At the same time, we have added many accessories and features that will satisfy all needs from every customer. All our dryers have as standard the frequency inverter, which allows a very efficient control of the machine and reverse drum action in all models, even in basic and ECONOMIC-LINE range.

We would outline those that are intended to achieve a better use of energy and reduce the drying times: a new humidity control sensor, new system on intelligent dry (iDry), double door glass, smart air recirculation (Green Flow System), thermal insulation. Other existing options would be the stainless steel body, low pressure steam batteries, etc.

Even with all the improvements we can also supply a range of simple machines that complete our catalogue. With these we can adapt to any type of customer: from those that are looking for a simple, cheap, and easy-to use machine, to those who look for the maximum performance and high efficiency dryers.

To complete the wide range, FAGOR offers the new stack dryers (two drums) and heat pump dryers.

01.

GREEN FLOW SYSTEM ©

To achieve the maximum energy saving we have created recirculation system that reintroduces the expelled hot air inside the drum. This way we re-use the hot air which lowers the energy heating consumption and at the same time we increase the air flow inside the drum.

This new patented system consists in regulating the re-used air-flow depending on the humidity level. This way we optimize each phase of the drying process with the maximum energy saving decreasing the time of the drying cycle.

02.

IDRY ©

The new FAGOR INDUSTRIAL humidity sensor offers a precise control of the moisture in the linen. By this system the drying cycle will automatically stop when it reaches the set level of residual moisture. This system offers many advantages.

Among others we want to point out the time and energy saving by avoiding the unnecessary prolongation of the drying cycle and avoiding the unnecessary wearing of the linen. Besides this, the new drying system adapts automatically the speed of the drum to the humidity level of the load. By this feature the drum will move at the optimal speed to ensure maximum humidity extraction, thus reducing significantly both drying time and energy consumption.

03.

MP CONTROL

Easy and intuitive to use, the electronic control of the FAGOR INDUSTRIAL tumbler dryers offers a complete control of the process. Even offering the possibility to select the required drum speed, statistics control, technical menu, alarms, etc.

04.

FIRE CARE SYSTEM

Integrated Fire Extinguishing System provides maximum safety and immediate activation of the system in case of fire inside the dryer basket.

05.

INSULATED PANELS

The complete circuit of the air-flow has been thermally insulated in order to optimize the energy to heat the air and to maximize the energetic efficiency.

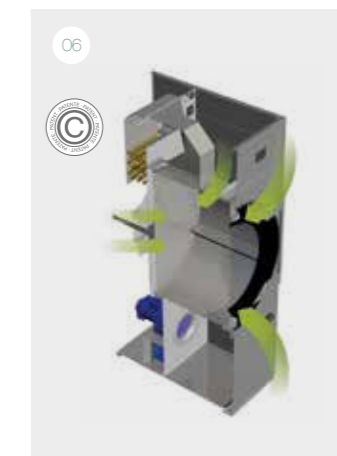
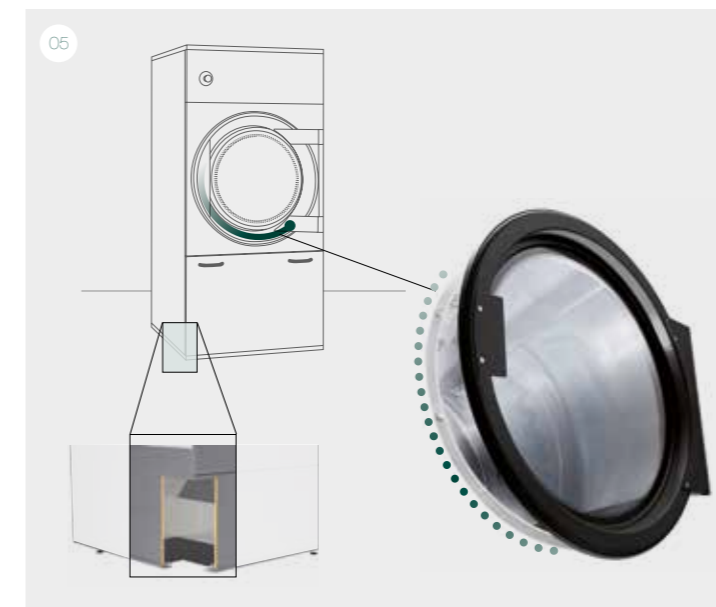
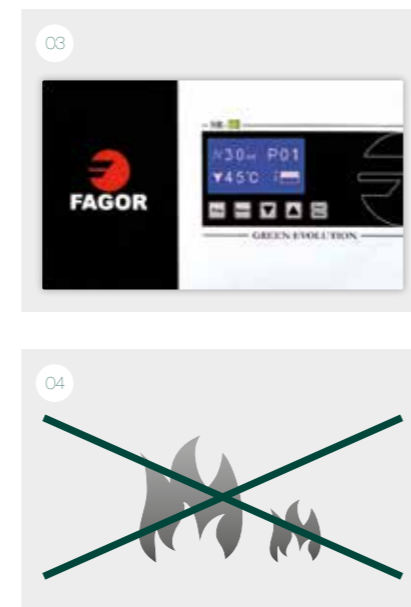
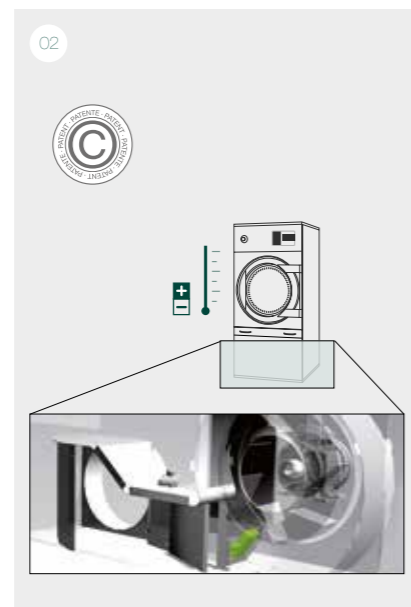
The drum, the panels in contact with the air-flow, the recirculation duct and of course the door (double glass), has been thermal insulated to avoid any loss of heat to the outside.

06.

TOTAL FLOW

New "optimized" system of mixed airflow for Green Evolution Plus dryers. The standard axial-radial airflow (Mixed Flow) is complemented with further openings to optimize the air circuit and achieving a most efficient drying.

Besides, the re-used air is being reintroduced in the machine directly through the back of the drum, increasing the mix flow effect.



07.

MIXED FLOW

The new system of mixed axial-radial air-flow increases the efficiency of the whole drying process due to the improvement of the air-flow inside the drum.

08.

AUTOREVERSE DRUM

All models offer the reverse turning of the drum. This way the drying process is more efficient and offers better uniformity on the garments drying process, avoiding at the same time the tangling of the big pieces. The reverse system of the drum is done through the inverter in all models.

09.

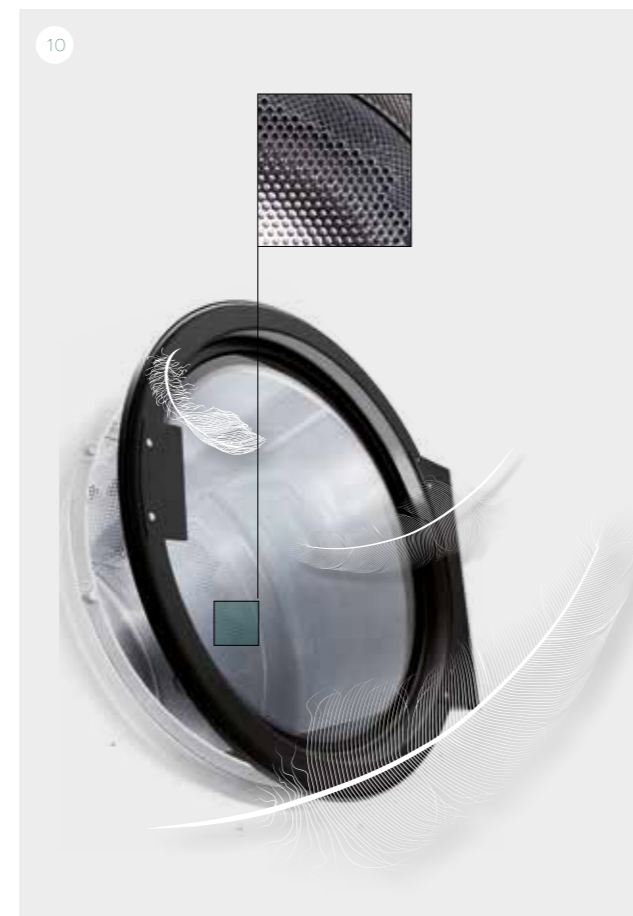
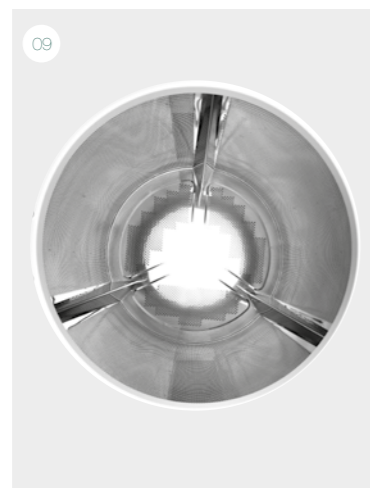
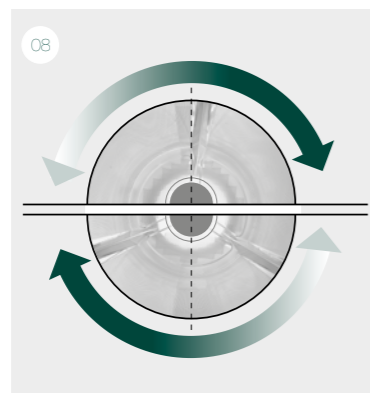
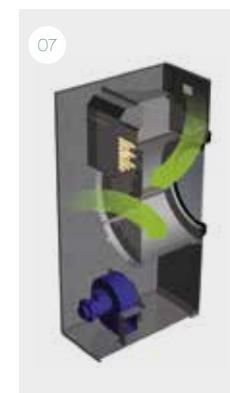
STAINLESS STEEL DRUM

The drums of Green Evolution and Green Evolution Plus ranges are built in stainless steel BA finishing, to have better quality and durability.

10.

SOFT TOUCH DRUM

The drums of Green Evolution and Green Evolution Plus ranges are built in stainless steel BA finishing, to have better quality and durability.



THE LATEST FEATURES FOR THE MOST DEMANDING USERS



GREEN EVOLUTION PLUS

CONTROL TYPE	HEATING	CAPACITY							
		10 - 12 kg	15 - 18 kg	21 - 26 kg	25 - 31 kg	30 - 37 kg	41 - 50 kg	55 - 67 kg	68 - 82 kg
Microprocessor MP	Electric, gas, steam	SR-11 MP PLUS	SR-16 MP PLUS	SR-23 MP PLUS	SR-28 MP PLUS	SR-35 MP PLUS	SR-45 MP PLUS	SR-60 MP PLUS	SR-80 MP PLUS

GREEN EVOLUTION

CONTROL TYPE	HEATING	CAPACITY							
		10 - 12 kg	15 - 18 kg	21 - 26 kg	25 - 31 kg	30 - 37 kg	41 - 50 kg	55 - 67 kg	68 - 82 kg
Timer	Electric, gas, steam	SR-11	SR-16	SR-23	SR-28	SR-35	SR-45	SR-60	SR-80
Microprocessor MP	Electric, gas, steam	SR-11 MP	SR-16 MP	SR-23 MP	SR-28 MP	SR-35 MP	SR-45 MP	SR-60 MP	SR-80 MP
Self-service	Electric, gas	SR-11 MP-A	SR-16 MP-A	SR-23 MP-A	SR-28 MP-A	SR-35 MP-A	-	-	-

STACK DRYERS | GREEN EVOLUTION

CONTROL TYPE	HEATING	CAPACITY	
		2 x (10 - 12 kg)	2 x (15 - 18 kg)
Microprocessor MP	Electric, gas	SR-2-11 MP	SR-2-16 MP
Self-service MP-A	Electric, gas	SR-2-11 MP-A	SR-2-16 MP-A

HEAT PUMP | HIGH EFFICIENCY

CONTROL TYPE	HEATING	CAPACITY		
		10 - 12 kg	15 - 18 kg	21 - 26 kg
Microprocessor MP	Heat Pump	SR-11 MP HE	SR-16 MP HE	SR-23 MP HE
Self-service	Heat Pump	SR-11 MP-A HE	SR-16 MP-A HE	SR-23 MP-A HE

ECONOMIC-LINE

CONTROL TYPE	HEATING	CAPACITY							
		10 - 12 kg	15 - 18 kg	21 - 26 kg	25 - 31 kg	30 - 37 kg	41 - 50 kg	55 - 67 kg	68 - 82 kg
Timer	Electric, gas	SC-11	SC-16	SC-23	SC-28	SC-35	-	-	-



**GREEN
EVOLUTION**
FOR A
SUSTAINABLE
FUTURE.

CARING FOR THE ENVIRONMENT, FAGOR'S COMMITMENT

The new range of Green Evolution PLUS dryers is a good example of the company's commitment towards the global environmental awareness. In this sense FAGOR INDUSTRIAL heads a project that protects the environment and makes the user of our products directly involved in a responsible use of energy, avoiding unnecessary consumption and waste.

Knowing that dryers are one of the most energy-consuming machines in today's laundries, FAGOR INDUSTRIAL has created the Green Evolution PLUS range with one of the most efficient drying systems in the market. This range will not only help care for the environment, but also reduce your costs up to 40%.



40%

ENERGY
CONSUMPTION SAVING



GREEN EVOLUTION PLUS

INVESTING IN EFFICIENCY, INVESTING IN THE FUTURE

A wide range of **most advanced features to minimize the drying time** which therefore provides **savings of 40%** of final energy consumption. Because investing in quality and efficiency means investing in the future.

When the investment is shown by high quality features like stainless steel drum, autoreverse drum action, frequency inverter, double air flow axial/radial... the energy saving is immediate.

Because all this means a very important decrease in drying time and results in important savings in the machine's running costs, this range becomes the perfect choice for the modern laundry sector.



01.

GREEN FLOW SYSTEM©

Allow to re-use the air to increase the energy savings and improve the air flow.

02.

IDRY©

Humidity sensor system that besides the standard features of these systems, also include the control of the drum speed depending on the degree of moisture.

03.

INSULATED PANELS

Complete thermal insulation of the machine to get the best energetic efficiency.

04.

TOTAL FLOW

New "optimized" system of mixed airflow.

05.

SOFT TOUCH

The new drum perforations make sure the linen is gently handled, lengthening the garments lifetime.

GREEN EVOLUTION

THE PERFECT BALANCE BETWEEN QUALITY AND PRICE

FAGOR INDUSTRIAL is the ideal range for those customers who do not need the most advanced features such as in the Green Evolution PLUS range, but who are looking for **high performance, heavy duty and high quality** tumble dryers. This range is available from 11 to 80 kg.

Models are equipped with high quality features as standard, and can come with two control versions: electronic microprocessor MP or Timer (for those who look for the most simple and still robust).



MAIN FEATURES

- Panels in grey skinplate, look stainless steel.
- Stainless Steel drum.
- Autoreverse drum.

OPTIONAL

- Double doorglass.
- Stainless Steel panels.
- iDry system. (Smart humidity sensor)
- FC System (Integrated Fire Extinguishing System).
- 0.6mm and 1.2mm filter mesh (the standard is 0.3mm).



Analogical



Electronic control

LARGE CAPACITY TUMBLE DRYERS

THE PERFECT BALANCE BETWEEN EFFICIENCY AND CAPACITY

45 - 60 - 80 KG

FAGOR INDUSTRIAL largest tumble dryers have also moved with the times. When power means profit and efficiency and capacity go hand in hand, these dryers are as robust and reliable as the past models but with increased power and much lower energy consumption. Highly energetic efficiency and very competitive prices in big production dryers.



MAIN FEATURES

- Built to last, a mix of power, robustness and reliability.
- Frequency Control for a smooth operation.
- All models can be electric heating.

- Standard double airflow.
- Stainless steel 1,2mm thick drum as standard.
- Digital Microprocessor, Reverse Drum Action.
- Transmission by means of pulley and Poly-V belt.

STEAM MODELS:

Steam models are equipped with a high pressure battery, both for steam or thermal oil heating, made in stainless steel and ready to work high pressures.



TUMBLE DRYERS SELF-SERVICE



FAGOR INDUSTRIAL TUMBLE DRYERS BETWEEN MODEL SR 11 AND SR 35 KG ARE SPECIALLY DESIGNED FOR THE SELF-SERVICE SECTOR.

Both Green Evolution PLUS and Green Evolution models, taking the digital control MP, can be **acquired in Self-Service versions.**

The Self-service version can easily be adapted to the several options: coiner, central pay or prepaid card system.

- SOFT TOUCH
- MP Control
- Autoreverse DRUM
- Stainless Steel DRUM

Mixed Flow



CENTRAL PAY

Ready to work with any external centralised pay system.



ELECTRONIC COIN-TOKEN BOX

The device can work with coins or with tokens, available for most types of coins in the world.



PREPAID CARD

Prepared to work with Pre-pay card systems.

FEATURES

- Panels in grey skinplate, look stainless steel.
- Digital Control.
- Stainless steel drum.
- Reverse drum action.
- New big drawer for the lint filter.
- 3 drying programs (low, medium, high).
- Locked access to the configuration menú.
- Big blue display and White leds for an easy reading.

OPTIONS

- iDry system. (Smart humidity sensor)
- FC System (Integrated Fire Extinguishing System).
- 0.6mm and 1.2mm filter mesh (the standard is 0.3mm).



OPTIMIZED SPACE “STACK DRYERS”



ESPECIALLY THOUGHT FOR THE SELF-SERVICE SECTOR



CENTRAL PAY



ELECTRONIC COIN-TOKEN BOX



PREPAID CARD

Fagor double dryers are compact machines, ideal for those laundries with little room, **especially thought for the self-service sector** but also available for hotels, small laundries, etc.

Equipped with all features in GREEN EVOLUTION models, the two drums share a single exhaust pipe and a single electric connection, which makes it a simple installation and maintenance.



- SOFT TOUCH
- MP Control
- Autoreverse DRUM
- Stainless Steel DRUM

Mixed Flow

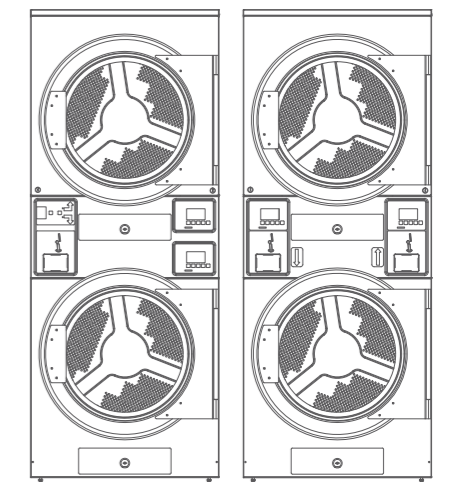
FEATURES

- Panels in grey skinplate, look stainless steel.
- Digital Control.
- Stainless steel drum.
- Reverse drum action.

OPTIONS

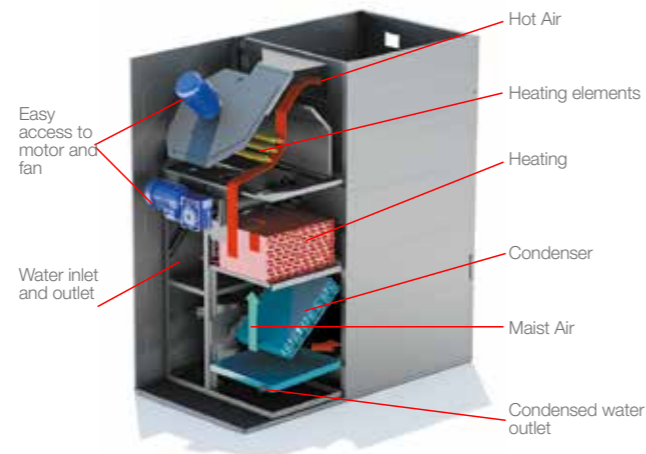
- Model for OPL and central pay, or with double coin meter one or double.
- Stainless steel panels.
- iDry system. (Smart humidity sensor)
- FC System (Integrated Fire Extinguishing System).

New stack dryer with two controls and tumblers, sharing a single connection and exhaust, for a simple installation and maintenance.



HEAT PUMP TUMBLE DRYERS

Fagor presents their range of "High Efficiency" tumble dryers with the greatest energy savings. The new Heat Pump tumble dryers represent **a revolution as they offer around a 60% of energy saving.**



EFFICIENT TECHNOLOGY

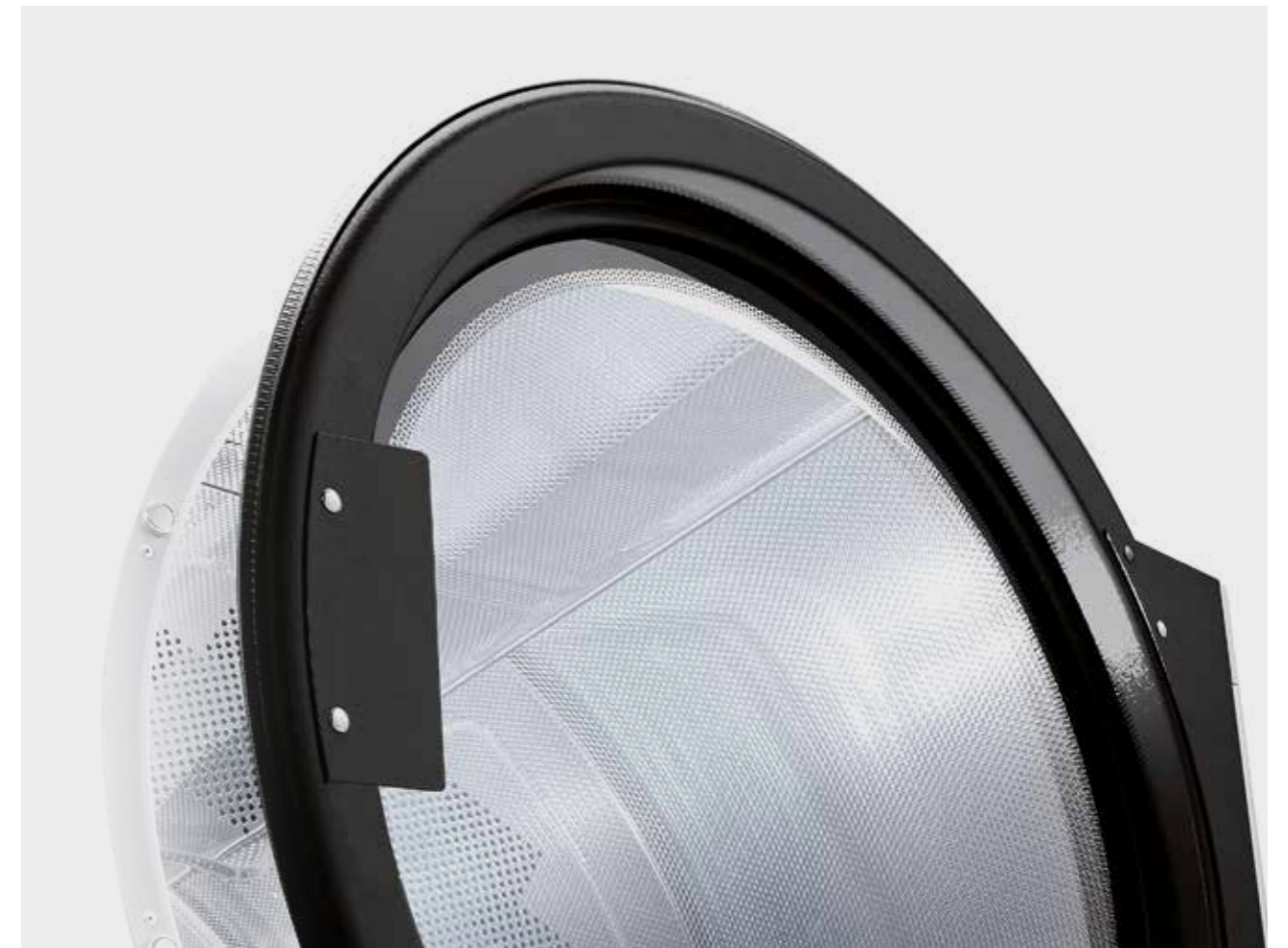
01.

Their technology makes them also ideal to be installed in places without access to the exterior of the building, also for the self-service sector, and their design simplifies considerably their installation.

The range consists of three models: SR-11 HE, SR-16 HE and SR-23 HE.

FEATURES

- Panels in grey skinplate, look stainless steel.
- Digital Control.
- Stainless steel drum.
- Reverse drum action.
- New big drawer for the lint filter.
- 100% recovered air.
- No need of exhaust installation.
- Electric consumption reduced in 50 to 75%.
- iDry system. (Smart humidity sensor)
- FC System (Integrated Fire Extinguishing System).



ECONOMIC-LINE

SIMPLE AND ECONOMICAL, WITH THE SAME PERFORMANCE AND ROBUSTNESS



The entire range is equipped with ECONOMIC-LINE Reversing with frequency and maintains the same performance and quality of drying than other ranges.

Designed for customers who require a dryer **cheaper but without giving a rugged, quality.** Low cost FAGOR INDUSTRIAL. The range is available in sizes from 11 to 35 kg.

MAIN FEATURES

- Galvanised steel drum.
- Galvanised steel panels.
- Timer Control.
- Reverse Drum Action.

TECHNICAL DATA

	UNIT.	SR/SC-11	SR/SC-16	SR/SC-23	SR/SC-28	SR/SC-35	SR-45	SR-60	SR-80	SR-2-11	SR-2-16
CAPACITY											
CAPACITY 1/18	kg	12	18	26	31	37	50	67	83	23	37
CAPACITY 1/22	kg	10	15	21	25	30	41	55	68	19	30
HOURLY OUTPUT GREEN EVOLUTION PLUS	kg/h	27	43	60	72	86	117	156	195	-	-
HOURLY OUTPUT GREEN EVOLUTION / ECONOMIC-LINE	kg/h	21	33	46	55	66	90	120	150	34	53
EVAPORATION CAPACITY GREEN EVOLUTION PLUS	l/h	14,17	22,4	35,1	44,6	44,6	60,6	81,2	99,7	-	-
EVAPORATION CAPACITY GREEN EVOLUTION / ECONOMIC-LINE	l/h	10,9	17,2	23,9	28,6	34,3	46,6	62,5	76,7	17,5	27,4
DRUM											
Ø DRUM	mm	750	750	855	947	947	1225	1225	1225	750	750
Ø DOOR	mm	574	574	574	802	802	802	802	802	574	574
DOOR CENTER HEIGHT	mm	976	976	1030	1040	1040	1275	1275	1275	547/1522	547/1522
LOAD HOLE BOTTOM HEIGHT	mm	689	689	743	640	640	874	874	874	260/1235	260/1235
DRUM LENGTH	mm	475	746	800	780	936	760	1020	1252	475	746
DRUM VOLUME	l	210	330	460	550	660	896	1202	1500	210	330
FEATURES											
GREEN FLOW SYSTEM	GREEN EVOLUTION PLUS	STD	STD	STD	STD	STD	STD	STD	STD	-	-
	GREEN EVOLUTION / ECONOMIC-LINE / STACK DRYER	NO	NO	NO	NO	NO	NO	NO	NO	NO	NO
IDRY (HUMIDITY PROBE CONTROL)	GREEN EVOLUTION PLUS	STD	STD	STD	STD	STD	STD	STD	STD	-	-
	GREEN EVOLUTION / STACK DRYER	MP	YES	YES	YES	YES	YES	YES	YES	YES	OPT.
	TIMER	NO	NO	NO	NO	NO	NO	NO	NO	-	-
INSULATED PANELS	GREEN EVOLUTION PLUS	STD	STD	STD	STD	STD	STD	STD	STD	-	-
	GREEN EVOLUTION / ECONOMIC-LINE / STACK DRYER	NO	NO	NO	NO	NO	NO	NO	NO	NO	NO
TOTAL FLOW	GREEN EVOLUTION PLUS	STD	STD	STD	STD	STD	STD	STD	STD	-	-
MIXED FLOW (RADIAL)	GREEN EVOLUTION / STACK DRYER	STD	STD	STD	STD	STD	STD	STD	STD	STD	STD
	ECONOMIC-LINE	NO	NO	NO	NO	NO	-	-	-	-	-
AUTOREVERSE DRUM	ALL RANGES	STD	STD	STD	STD	STD	STD	STD	STD	STD	STD
STAINLESS STEEL DRUM	GREEN EVOLUTION PLUS / GREEN EVOLUTION / STACK DRYER	STD	STD	STD	STD	STD	STD	STD	STD	STD	STD
	ECONOMIC-LINE	NO	NO	NO	NO	NO	-	-	-	-	-
SOFT TOUCH	GREEN EVOLUTION PLUS / GREEN EVOLUTION / STACK DRYER	STD	STD	STD	STD	STD	STD	STD	STD	STD	STD
	ECONOMIC LINE	NO	NO	NO	NO	NO	-	-	-	-	-
TIPO DE CONTROL	GREEN EVOLUTION PLUS	MP	MP	MP	MP	MP	MP	MP	MP	-	-
	GREEN EVOLUTION / STACK DRYER	MP/TIMER	MP/TIMER	MP/TIMER	MP/TIMER	MP/TIMER	TIMER	TIMER	TIMER	MP	MP
	ECONOMIC-LINE	TIMER	TIMER	TIMER	TIMER	TIMER	-	-	-	-	-
FC SYSTEM (INTEGRATED FIRE EXTINGUISHING SYST)	GREEN EVOLUTION PLUS	STD	STD	STD	STD	STD	STD	STD	STD	-	-
	GREEN EVOLUTION	OPT-MP	OPT-MP	OPT-MP	OPT-MP	OPT-MP	OPT-MP	OPT-MP	OPT-MP	-	-
	ECONOMIC-LINE / STACK DRYER	NO	NO	NO	NO	NO	-	-	-	OPT.	OPT.

	UNIT.	SR/SC-11	SR/SC-16	SR/SC-23	SR/SC-28	SR/SC-35	SR-45	SR-60	SR-80	SR-2-11	SR-2-16
POWER											
DRUM MOTOR POWER	kW	0,37	0,37	0,37	0,55	0,55	0,75	1,1	1,5	0,25 x 2	0,25 x 2
FAN MOTOR POWER GREEN EVOLUTION PLUS	kW	0,55	0,55	0,75	0,75	0,75	2,2	2,2	2,2	-	-
FAN MOTOR POWER GREEN EVOLUTION / ECONOMIC-LINE	kW	0,25	0,25	0,55	0,55	0,55	1,1	1,1	1,1	0,25 x 2	0,25 x 2
ELECTRIC HEATING (INSTALLED POWER) GREEN EVOLUTION PLUS	kW	12	18	24	30	36	54	72	72	12 x 2	12 x 2
ELECTRICAL HEATING (POWER INSTALLED)	kW	12,85	18,85	25,17	31,35	37,35	57	75,35	75,75	-	-
ELECTRIC HEATING (POWER INSTALLED) GREEN EVOLUTION / ECONOMIC-LINE	kW	12,55	18,55	24,97	31,15	37,15	55,9	74,25	74,65	25,1	25,1
GAS HEATING (INSTALLED POWER) IN kW	kW	20,51	20,51	31	41	41	60	90	120	12 x 2	12 x 2
GAS HEATING (INSTALLED EL. POWER) GREEN EVOLUTION PLUS	kW	0,85	0,85	1,17	1,35	1,35	3	3,35	3,75	-	-
GAS HEATING (INSTALLED EL. POWER) GREEN EVOLUTION / ECONOMIC-LINE	kW	0,55	0,55	0,97	1,15	1,15	1,9	2,25	2,65	1,1	1,1
STEAM HEATING (STEAM POWER kW)	kW	30	30	49,2	50,1	50,1	91,3	128	128	-	-
STEAM HEATING (EL. POWER INSTALLED) GREEN EVOLUTION PLUS	kW	0,85	0,85	1,17	1,35	1,35	3	3,35	3,75	-	-
STEAM HEATING (EL. POWER INSTALLED) GREEN EVOLUTION	kW	0,55	0,55	0,97	1,15	1,15	1,9	2,25	2,65	-	-
DIMENSIONS											
WIDTH WITHOUT PACKING	mm	785	785	890	985	985	1270	1270	1270	785	785
DEPTH WITHOUT PACKING	mm	840	1100	1245	1054	1210	1085	1345	1577	955	1225
HEIGHT WITHOUT PACKING	mm	1694	1694	1812	1946	1946	2380	2380	2380	1980	1980
HEIGHT WITHOUT HEATING BATTERY	mm	-	-	-	-	-	1950	1950	1950	-	-
GROSS WIDTH	mm	865	865	970	1065	1065	1330	1330	1330	865	865
GROSS DEPTH	mm	940	1210	1345	1154	1310	1185	1445	1677	1055	1325
GROSS HEIGHT	mm	1840	1840	1940	2080	2080	2085	2085	2085	2126	2126
NET WEIGHT	kg	172	187	210	230	260	395	529	657	260	290
GROSS WEIGHT	kg	180	200	230	260	285	430	575	715	268	303
OTHERS											
FAN AIR FLOW GREEN EVOLUTION PLUS	m³/h	1200	1200	1500	1500	1500	4500	4500	4500	-	-
FAN AIR FLOW GREEN EVOLUTION / ECONOMIC-LINE	m³/h	850	850	1200	1200	1200	3000	3000	3000	500X2	500X2
Ø FUME EXHAUST	mm	200	200	200	200	200	300	300	300	200	200
NOISE LEVEL GREEN EVOLUTION PLUS / GREEN EVOLUTION / ECONOMIC-LINE	dB	64	64	65	65	65	67	67	67	64	64

STD: Estandard
OPT: Optional

FAGOR INDUSTRIAL S. COOP.
 Santxolopetegi auzoa, 22
 20560 Oñati, Gipuzkoa (España)
 T. (+34) 943 71 80 30
 F. (+34) 943 71 81 81
 info@fagorindustrial.com

www.fagorindustrial.com

