



TUMBLE DRYERS | GREEN EVOLUTION



Tumble Dryers

- FD - 25 TP2
- FD - 35 TP2
- FD - 50 TP2

ADVANCE

HIGH PERFORMANCE, EFFICIENT
TECNOLOGY, ADVANCE DRYING

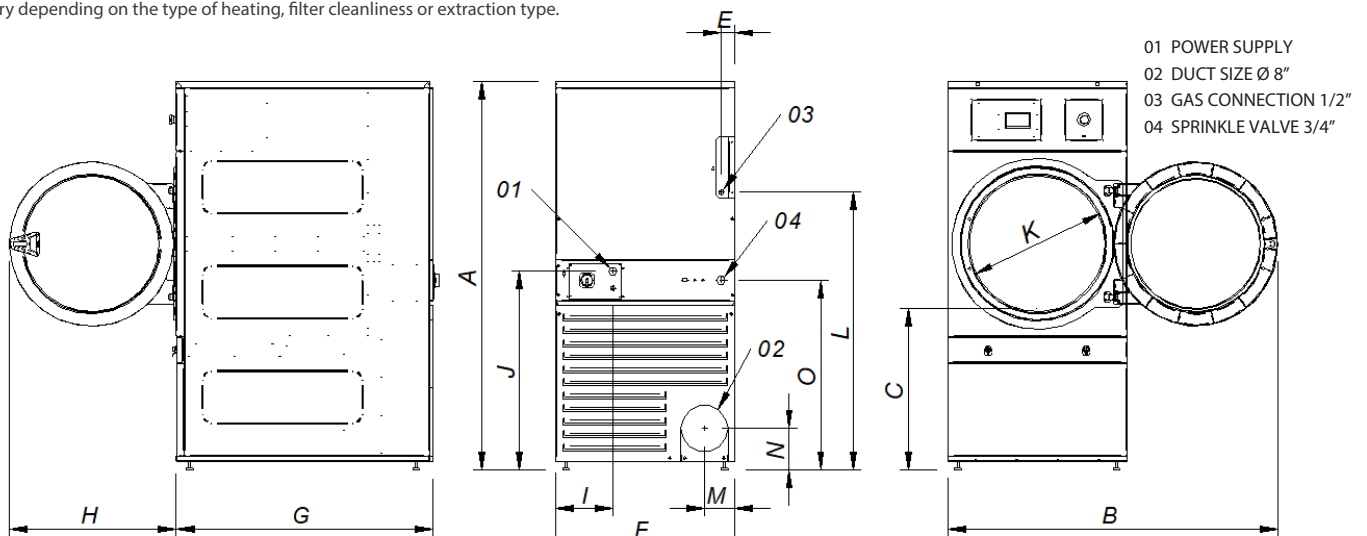
- TOUCH PLUS CONTROL**
- STAINLESS STEEL DRUM**
- MIXED FLOW**
- SOFT TOUCH**
- AUTOREVERSE DRUM**





TECHNICAL DATA	UNIT.	FD- 25	FD - 35	FD- 50			
CAPACITY							
Capacity 1/18	lb	26	40	60			
Capacity 1/20	lb	25	35	50			
Hourly Output *	lb/h	63	70	89.5			
Evaporation Capacity *	l/h	14.5	16.3	20.4			
DRUM							
Ø Drum	in	29.50	29.50	33.70			
Ø Door	in	22.50	22.50	22.50			
Door Center Height	in	38.50	38.50	40.50			
Door Bottom Height	in	27	27	29.25			
Drum Depth	in	18.70	29.50	31.50			
Drum Volume	cu ft	7.42	11.65	16.24			
POWER							
Drum motor power	hp	1/2	1/2	1/2			
Fan motor power	hp	0.33	0.33	0.75			
Electric heating power (elec model)	kW	Not Available	Not Available	Not Available			
Total electric power (elec.model)	kW	Not Available	Not Available	Not Available			
Gas heating power	btu/h	70,000	70,000	105,000			
Total electric power (gas model)	kW	0.89	0.89	1.3			
Steam heating power	kW	40	40	66			
Steam heating power (gas model)	kW	0.89	0.89	1.3			
CONNECTIONS		ELECTRICAL	STEAM / GAS	ELECTRICAL	STEAM / GAS	ELECTRICAL	STEAM / GAS
120 V / 60 Hz / 1	FLA	-	20	-	20	-	20
208-240 V / 50-60 Hz / 1	FLA	Not Available	-	Not Available	-	Not Available	-
208-240 V / 50-60 Hz / 3	FLA	Not Available	-	Not Available	-	Not Available	-
Gas connection	in	1/2"		1/2"		1/2"	
DIMENSIONS / PACKING DIMENSIONS							
Net Width / Gross Width	in	30.9 / 34.0		30.9 / 34.0		35.0 / 38.0	
Net Depth / Gross Depth	in	33.7 / 37.0		44.3 / 48.0		49.4 / 53.0	
Net Height / Gross Height	in	66.7 / 73.0		66.7 / 73.0		71.3 / 76.0	
Height without heating battery	in	-		-		-	
Net weight / Gross weight	lb	379.1 / 396		412.1 / 440		462.8 / 485	
OTHERS							
Max airflow	CFM	500		500		706	
Ø Duct Size	in	8		8		8	
Sound level	dB	64		64		65	

* It may vary depending on the type of heating, filter cleanliness or extraction type.



Model		A	B	C	E	F	G	H	I	J	K	L	M	N	O
FD-25	in	67.7	57	27	2.7	30.9	33.7	28.9	3.7	32.3	22.6	48.3	5.25	7.1	32.7
FD-35	in	67.7	57	27	2.7	30.9	44.3	28.9	3.7	32.3	22.6	48.3	5.25	7.1	32.7
FD-50	in	71.3	61	29.3	4.4	35.0	49.4	28.9	8.1	33.9	22.6	52.9	5.25	7.1	34.3

