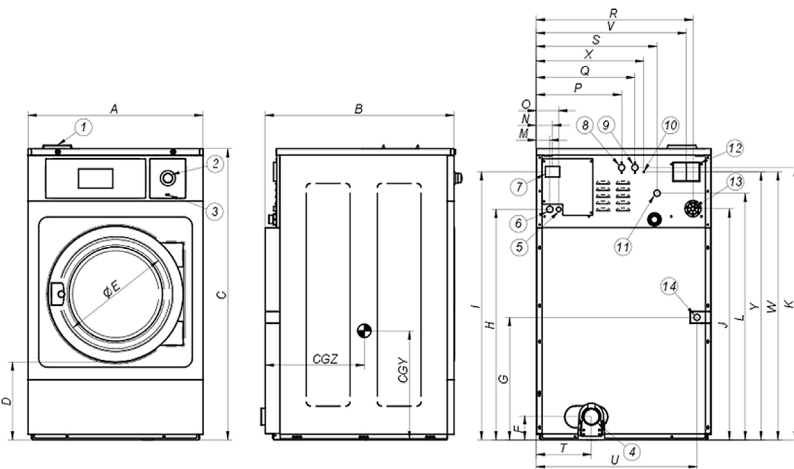




TECHNICAL DATA

	UNIT.	FWH-25 TP2		FWH-30 TP2		FWH-40 TP2			
<b>DRUM</b>									
Load capacity 1:9 / 1:10	lb	24/22		31/29		44/42			
Volume	CU.FT	3.5		4.6		6			
Diameter	in	20.9		24.40		27.55			
Depth	in	16.73		16.92		18.50			
<b>GENERAL DATA</b>									
Wash speed / Spin speed	r.p.m.	50/ 1,231		50/ 1,138		47/ 1,071			
G Force	-	450		450		450			
Maximum force transmitted	kN	2.08 ±0.75		2.49 ±1.05		3.41 ±1.4			
Dynamic force frequency	Hz	16.7		16.7		16			
Noise level	dB	70		70		70			
Self-service version	-	Yes		Yes		Yes			
Double drain	-	No		Opt.		Opt.			
Weighing system	-	Opt.		Opt.		Opt.			
<b>DOOR</b>									
Height door centre / Height door base	in	24.8/14.56		700 / 440		765 / 450			
Diameter	in	14.68		14.68		18.11			
<b>POWER</b>									
Motor	Hp	1		2		2.9			
Heating electric mod.	kW	6		9		12			
Maximum electrical power	kW	6.25		9.4		12.75			
Maximum steam and hot water power	kW	0.75		1.1		2.2			
<b>CONNECTIONS</b>									
		<b>ELECTRIC</b>		<b>STEAM / HOT WATER</b>		<b>ELECTRIC</b>		<b>STEAM / HOT WATER</b>	
Voltage 230V - I	FLA (Amp)	35	6	50	10	60	10		
Voltage 230V - III	FLA (Amp)	20	-	32	-	40	-		
Voltage 400V - III + N	FLA (Amp)	10	-	16	-	20	-		
Steam input (Steam mod.)	inch	1/2"		1/2"		1/2"			
Maximum steam consumption (Steam mod.)	lbs/h	15.5		18.8		26.5			
Water inlet	inch	3/4"		3/4"		3/4"			
Grid pressure	kg/cm <sup>2</sup>	2-4		2-4		2-4			
Maximum water consumption *	Gal/h	18.86		23.45		31.25			
Drain	mm/inch	3"		3"		3"			
Drainage capacity	gal/min	52.8		52.8		52.8			
<b>DIMENSIONS / DIMENSIONS WITH PACKAGING</b>									
Width / Width	in	27.24/28.74		31 / 32.67		34.80/ 36.61			
Depth / Depth	in	31 / 39.37		34.21 / 39.76		36 / 40.55			
Height / Height	in	46.65 / 55.78		51.46 / 61.42		55.70 / 66.93			
Net weight / Gross weight	lb	507 / 526		551 / 623		794 / 867			
Gross volume (with packaging)	ft <sup>3</sup>	36.37		46.26		57.56			

\* Program n° 20, 75 % load.



- ① Soap dispenser.
- ② Emergency stop.
- ③ USB port.
- ④ Drain.
- ⑤ Electrical connection to liquid soap pumps.
- ⑥ Electrical connection.
- ⑦ Main switch.
- ⑧ Auxiliary water inlet.
- ⑨ Hot water inlet.
- ⑩ Earth connection.
- ⑪ Cold water inlet.
- ⑫ Water overflow.
- ⑬ Connection for liquid soap.
- ⑭ Steam connection.

	A	B	C	D	E	F	G	H	I	J	K	L	M	N	O	P	Q	R	S	T	U	V	W	X	Y	CGY	CGZ
<b>FWH-25 TP2</b>	27,24	31,02	46,65	14,57	14,69	4,92	13,94	35,94	42,72	36,06	43,31	38,78	2,40	2,91	3,98	12,44	14,61	24,02	17,64	8,90	24,65	22,83	42,52	18,15	45,08	16,69	22,72
<b>FWH-30 TP2</b>	31,02	34,21	51,46	17,32	14,69	9,57	15,16	40,71	47,32	40,83	48,07	43,54	2,40	2,91	3,98	15,16	17,52	27,80	21,42	9,57	28,27	26,61	47,32	19,09	47,28	17,72	25,63
<b>FWH-40 TP2</b>	34,80	35,94	55,71	17,72	18,11	3,74	14,96	44,69	51,30	44,80	52,05	47,52	2,40	2,91	3,98	16,89	20,04	31,57	25,20	13,70	32,05	30,39	51,30	22,40	51,06	18,27	27,64