



FWS-60 TP2

NORMAL SPIN

HARD MOUNT WASHER

G FORCE = 200 | 60 lbs

RELIABILITY AND ROBUSTNESS
WITHIN REACH OF ALL.



FEATURES

- G Force = 200.
- Hard-mounted machines. Require anchoring to the floor.
- Drum and jacket in AISI-304 stainless steel.
- Easy-to-clean exterior panels, manufactured in skinplate with stainless steel appearance,
- Detergent tray with 4 compartments.
- 8 signals for automatic liquid dosing, programmable in time and delay.
- 6 extra signals available optionally.
- Variable-frequency drive (standard 50-60 Hz).
- Balancing systems
- New TOUCH PLUS programmer (TP2) with a 7" color touch screen, and 37 available languages. TP2 lets you create an infinite number of programs (29 pre-set), as well as play videos.
- TP2 allows programming, importing and exporting of programs and software updates via USB.
- Traceability as standard: temperatures, water levels, etc. are stored on the washer and is extractable to a PC by USB memory.
- All washers are **WET CLEANING** ready. The TP2 programmer includes the characteristics to create any Wet Cleaning program (adjustable water levels and washing speed).
- **EFFICIENT MIX.** These machines are equipped with an automatic water mixer (mixing different water temperatures) which provides energy savings and reduces washing times.
- **BALANCE CONTROL:** detects the imbalance at an early stage. This way the operation is much smoother, extending components lifetime, and saving time and energy.
- **MULTI-CHOICE INLET:** 3 standard water inlets. All washers are equipped with a third water inlet to speed filling time, for decalcified water, ozone, or recycled water.
- **MAINTENANCE KARE:** A simple design, focused in optimum accessibility; with easy-to-access mechanical and electronic parts. key to easy maintenance.
- The TP2 control provides a complete technical menu, self-diagnosis systems, alarms, restricted access areas, etc.
- **OPTIMIZED DRUM:** The special perforations in the paddles of the drum create a water cascade effect that considerably increases the mechanical action and reduces the amount of water in each wash. The effective design of the drum and tank with minimal spaces between them, reduces the energy consumption to heat the water and the excessive use of chemical products.
- **OPTIMAL CONSUMPTION.** All washers are equipped with an efficient system that sense the load weight and automatically adapts the quantity of water and chemicals needed.

OPTIONS:

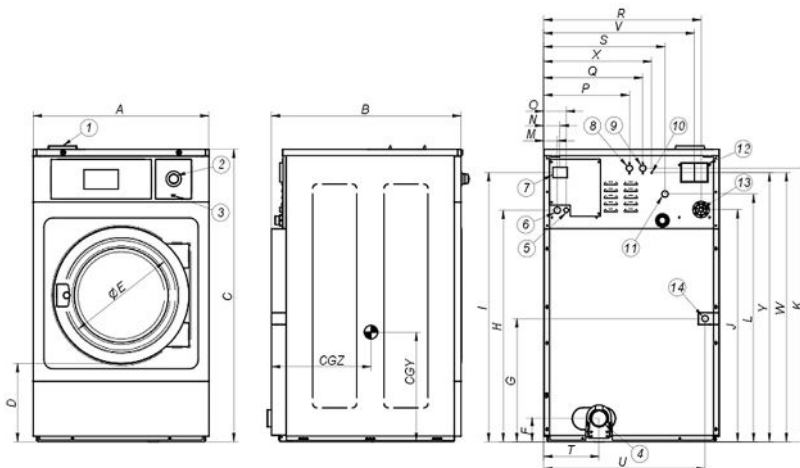
- Anchoring base.
- Exterior panels in AISI-304 stainless steel.
- Front panels in AISI-304 stainless steel.
- Double drain kit to recover water.
- NC Option: drain normally closed.
- Reversible door opening.
- 6 extra signals for dosing
- Timed opening system.
- Printer.
- Shower system: water recirculation for very delicate linen (wet cleaning complement).
- Marine electric versions.
- Protective covering for the electronics system.
- SLUICE option. Essential for fabrics with solid contamination. The Ø 8 mm perforations in the drum facilitate the removal of solid waste.



TECHNICAL DATA
UNIT.
FWS - 60 TP2

DRUM			
Load capacity 1/9 - 1/10	lbs	62/55	
Volume	cu ft	9	
Diameter	in	30.3	
Depth	in	20.8	
GENERAL DATA			
Wash speed / Spin speed	rpm	48/682	
G Force	-	200	
Maximum force transmitted	kN	3.53 ±6	
Dynamic force frequency	Hz	8.02	
Noise level	dB	< 70	
Self-service version	-	Yes	
Double drain	-	Opt.	
Weighing system	-	No	
SLUICE option	-	Yes	
DOOR			
Height door centre / Height door base	in	27.55 / 15.75	
Diameter	in	18.15	
POWER			
Motor	Hp	4	
Heating (electric heating model)	kW	18	
Maximum power (electric heating model)	kW	19	
Maximum power (steam and hot water model)	kW	3	
CONNECTIONS			
		ELECTRIC	STEAM / HOT WATER
208-240V / 50-60 Hz / 1	FLA (Amp)	-	16 A
208-240V / 50-60 Hz / 3	FLA (Amp)	63 A	-
440V / 50-60 Hz / 3	FLA (Amp)	32 A	-
Steam inlet (Steam mod.)	in		3/4"
Maximum steam consumption (Steam, mod.)	lbs/h		33
Water inlet	inch		3/4"
Grid pressure	kg/cm ²		2-4
Maximum water consumption *	Gal/h		43.53
Drain	in		3"
Drainage capacity	gal/min		52.8
DIMENSIONS / DIMENSIONS WITH PACKAGING			
Width / Width	in		34.8/ 36.61
Depth / Depth	in		39.80 / 45.27
Height / Height	in		52.76 / 59.90
Net weight / Gross weight	lbs		749 / 815
Gross volume (with packaging)	cu ft		56.5

* Program n° 20, 75 % load.



- ① Soap dispenser.
- ② Emergency stop.
- ③ USB port.
- ④ Drain.
- ⑤ Electrical connection to liquid soap pumps.
- ⑥ Electrical connection.
- ⑦ Main switch.
- ⑧ Auxiliary water inlet.
- ⑨ Hot water inlet.
- ⑩ Ground connection.
- ⑪ Cold water inlet.
- ⑫ Water overflow.
- ⑬ Connection for liquid soap.
- ⑭ Steam connection.

DIMENSIONS (in)	A	B	C	D	E	F	G	H	I	J	K	L	M	N	O	P	Q	R	S	T	U	V	W	X	Y	CGY	CGZ
FWS-60 TP2	34.80	37.99	52.76	15.75	18.11	5.71	21.57	41.85	48.43	41.93	49.21	44.69	2.40	2.91	3.98	16.85	20.00	31.54	25.16	10.55	32.28	30.35	48.03	23.62	50.39	23.27	21.38

