



# FWS- 80C TP2 FWS-100C TP2

## NORMAL SPIN

HARD MOUNT WASHERS  
G FORCE = 200 | 80 - 100 lbs

RELIABILITY AND ROBUSTNESS  
WITHIN REACH OF ALL.



## FEATURES

- G Force = 200.
- Hard-mounted machines. Require anchoring to the floor.
- Drum and jacket in AISI-304 stainless steel.
- Easy-to-clean exterior panels, manufactured in skinplate with stainless steel appearance.
- Detergent tray with 4 compartments.
- 8 signals for automatic liquid dosing, programmable in time and delay.
- 6 extra signals available optionally.
- Variable-frequency drive (standard 50-60 Hz)
- New TOUCH PLUS programmer (TP2) with a 7" color touch screen, and 37 available languages. TP2 lets you create an infinite number of programs (29 pre-set), as well as play videos.
- TP2 allows programming, importing and exporting of programs and software updates via USB.
- Traceability as standard: temperatures, water levels, etc. are stored on the washer and is extractable to a PC by USB memory.
- All washers are WET CLEANING ready. The TP2 control allows you to create any wet cleaning program (adjustable water levels and wash speed).
- EFFICIENT MIX. These machines are equipped with an automatic water mixer (mixing different water temperatures) which provides energy savings and reduces washing times.
- BALANCE CONTROL: detects the imbalance at an early stage. This way the operation is much smoother, extending components lifetime, and saving time and energy.
- MULTICHOICE INLET: 3 standard water inlets. All washers are equipped with a third water inlet to speed filling time, for decalcified water, ozone, or recycled water.
- MAINTENANCE KARE: A simple design, focused in optimum accessibility; with easy-to-access mechanical and electronic parts. key to easy maintenance.
- The TP2 control provides a complete technical menu, self-diagnosis systems, alarms, restricted access areas, etc.
- OPTIMIZED DRUM: The special perforations in the paddles of the drum create a water cascade effect that considerably increases the mechanical action and reduces the amount of water in each wash. The effective design of the drum and tank with minimal spaces between them, reduces the energy consumption to heat the water and the excessive use of chemical products.
- OPTIMAL CONSUMPTION. All washers are equipped with an efficient system that sense the load weight and automatically adapts the quantity of water and chemicals needed.
- Washers compatible with water recovery tanks.
- With the TP2 control you can convert your OPL washer to Coin/Vended mode. Just add a coin mechanism kit or other payment system.RS-485 communication.

### OPTIONS:

- Anchoring base.
- Exterior panels in AISI-304 stainless steel.
- Front panels in AISI-304 stainless steel.
- Double drain kit to recover water.
- NC Option: drain normally closed.
- Reversible door opening.
- 6 extra signals for dosing
- Timed opening system.
- Printer.
- Shower system: water recirculation for very delicate linen (wet cleaning complement).
- Marine electric versions.
- Protective covering for the electronics system.
- SLUICE option. Essential for fabrics with solid contamination. The Ø 8 mm perforations in the drum facilitate the removal of solid waste.





## TECHNICAL DATA

## UNIT.

## FWS - 80C TP2

## FWS - 100C TP2

DRUM			
Load capacity 1/9 - 1/10	lbs	86-77	103-93
Volume	cu ft	12.36	14.83
Diameter	in	33.85	33.85
Depth	in	23.7	28.5

## GENERAL DATA

Wash speed / Spin speed	rpm	45/644	45/644
G Force	-	200	200
Maximum force transmitted	kN	4.59 ±8	4.59 ±8
Dynamic force frequency	Hz	7.58	7.58
Noise level	dB	< 70	< 70
Self-service version	-	Yes	Yes
Double drain	-	Opt.	Opt.
Weighing system	-	No	No
SLUICE option	-	Yes	Yes

## DOOR

Height door centre / Height door base	in	28.9 / 17.3	28.9 / 17.3
Diameter	in	22	22

## POWER

Motor	Hp	4	6
Heating (electric heating model)	kW	21	21
Maximum power (electric heating model)	kW	22	22
Maximum power (steam and hot water model)	kW	4	6

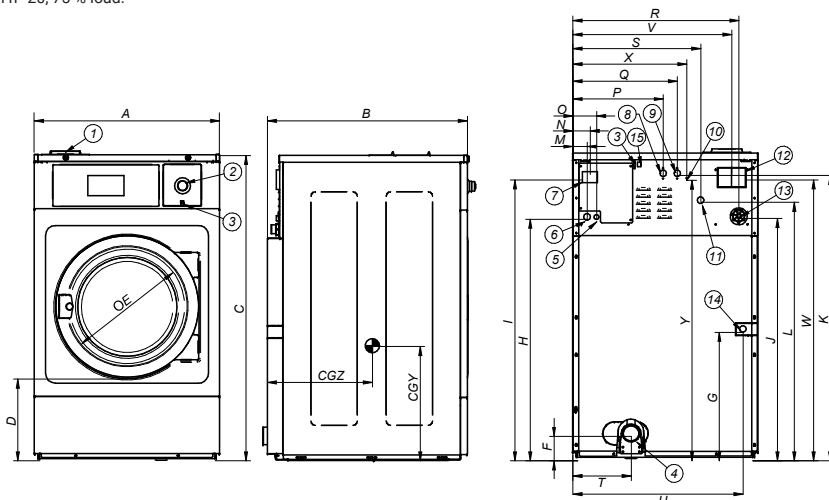
## CONNECTIONS

		ELECTRIC		STEAM / HOT WATER	
208-240V / 50-60 Hz / 1	FLA (Amps)	-	-	20	-
208-240V / 50-60 Hz / 3	FLA (Amps)	63	-	16	-
440V / 50-60 Hz / 3	FLA (Amps)	40	-	-	-
Steam inlet (Steam mod.)	in	-	3/4"	-	3/4"
Maximum steam consumption (Steam, mod.)	lbs/h	-	40	-	40
Water inlet	in	-	3/4"	-	3/4"
Grid pressure	kg/cm <sup>2</sup>	-	2-4	-	2-4
Maximum water consumption *	gal/h	-	52.72	-	52.72
Drain	in	-	3"	-	3"
Drainage capacity	gal/min	-	52.8	-	52.8

## DIMENSIONS / DIMENSIONS WITH PACKAGING

Width / Width	in	38.50 / 42.00	38.50 / 42.00
Depth / Depth	in	42.00 / 50.00	47.24 / 59.00
Height / Height	in	55.55 / 63	55.55 / 63
Net weight / Gross weight	lbs	1043 / 1109	1153 / 1219
Gross volume (with packaging)	cu ft	76.6	90.3

\* Program n° 20, 75 % load.



- 1- SOAP DISPENSER
- 2- EMERGENCY STOP
- 3- USB PORT
- 4- DRAIN
- 5- ELECTRIC CONNECTION TO LIQUID SOAP PUMPS
- 6- ELECTRICAL CONNECTION
- 7- MAIN SWITCH
- 8- AUXILIAR WATER INLET
- 9- HOT WATER INLET
- 10- EQUIPOTENTIAL CONNECTION
- 11- COLD WATER INLET
- 12- BLUR OUTPUT / WATER OVER-LOAD
- 13- LIQUID SOAP CONNECTION
- 14- STEAM CONNECTION
- 15- ETHERNET PORT

		A	B	C	D	E	F	G	H	I	J	K	L	M	N	O	P	Q	R	S	T	U	V	W	X	Y	CGY	CGZ
FWS-80C	in	38.5	42	55.6	14.6	22	5.8	24.5	44.8	51.5	44	52	47.7	2.4	2.9	4	21.5	24.6	34.8	28.2	10.3	36.1	33.7	50.4	30	54	25	26.85
FWS-100C	in	38.5	46.7	55.6	14.6	22	5.8	24.5	44.8	51.5	44	52	47.7	2.4	2.9	4	21.5	24.6	34.8	28.2	10.3	36.1	33.7	50.4	30	54	25	30

